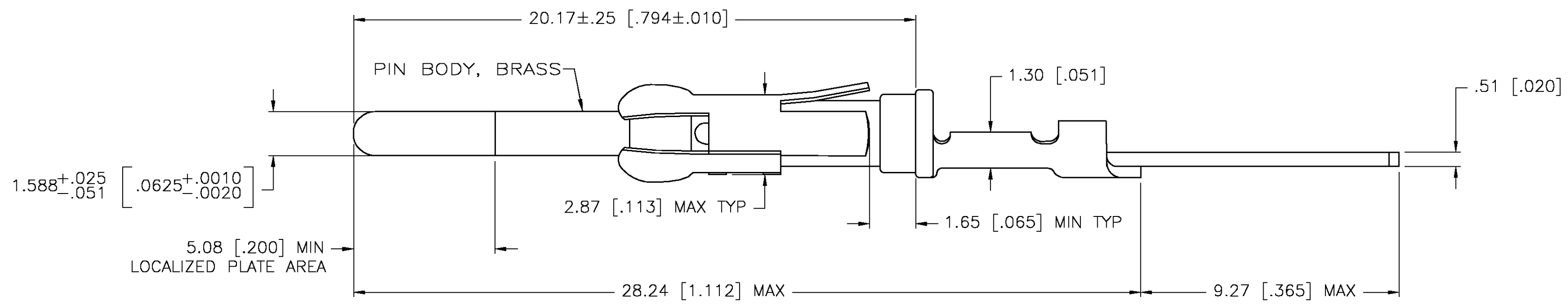
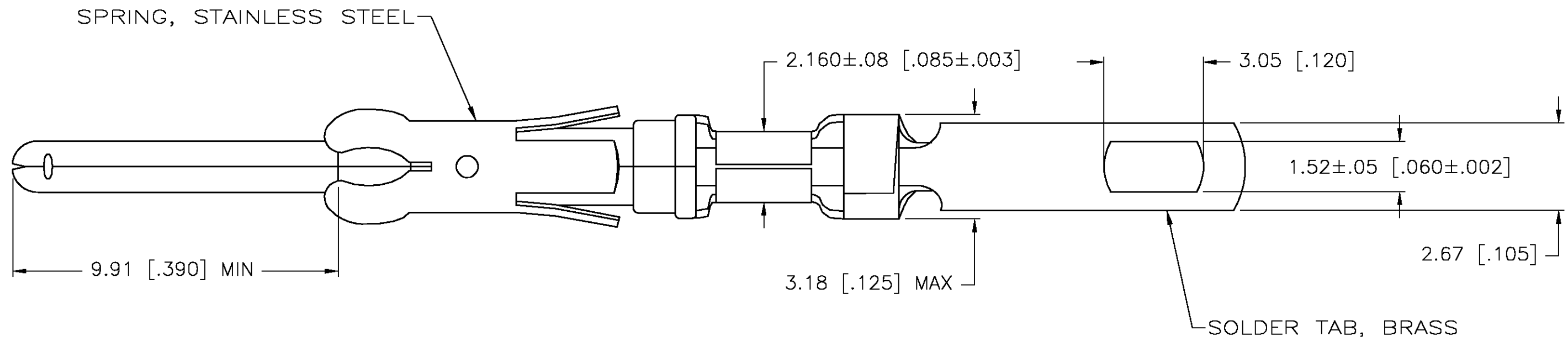


THIS DRAWING IS UNPUBLISHED. RELEASED FOR PUBLICATION
 © COPYRIGHT BY TYCO ELECTRONICS CORPORATION. ALL RIGHTS RESERVED.

LOC	DIST	REVISIONS					
FT	0	P	LTR	DESCRIPTION	DATE	DWN	APVD
		T		REVISED PER 0G3B-0956-04	11/22/04	SS	GS



- ① 1.27µm [.000050] MIN TIN-LEAD OVER
1.27µm [.000050] MIN NICKEL.
- ② 0.76µm [.000030] MIN GOLD IN LOCALIZED
PLATE AREA, 0.25µm [.000010] MIN
GOLD ON THE REMAINDER ALL OVER
1.27µm [.000050] MIN NICKEL.
- ③ 2.54µm [.000100] MIN TIN-LEAD OVER
1.27µm [.000050] MIN NICKEL.
- ④ 2.54µm [.000100] MIN TIN OVER
1.27µm [.000050] MIN NICKEL.
- ⑤ 1.27µm [.000050] MIN TIN OVER
1.27µm [.000050] MIN NICKEL.

④	SMALL PACK	②	202236-8
	STANDARD	②	202236-7
③	SMALL PACK	⑤	202236-6
	STANDARD	⑤	202236-5
FINISH SOLDER TAB	SMALL PACK	①	202236-4
	SMALL PACK	②	202236-3
	STANDARD	①	202236-2
	STANDARD	②	202236-1
FINISH SOLDER TAB	PACKAGING TYPE	FINISH	PART NO

THIS DRAWING IS A CONTROLLED DOCUMENT.

DIMENSIONS: mm [INCHES]	TOLERANCES UNLESS OTHERWISE SPECIFIED:	DWN H MOLL 27SEP90	Tyco Electronics Corporation Harrisburg, Pa 17105-3608
		CHK J.McCLINTON 15DEC90	
		APVD A. BOULLIANNE 15DEC90	NAME PIN ASSEMBLY, LOOSE PIECE, TYPE III+
		PRODUCT SPEC	SIZE A2
		APPLICATION SPEC	CAGE CODE 00779
MATERIAL SEE CALL OUT	FINISH PIN BODY:SEE TABLE	WEIGHT -	DRAWING NO C=202236
		CUSTOMER DRAWING	RESTRICTED TO -
		SCALE 8:1	SHEET 1 OF 1
			REV T